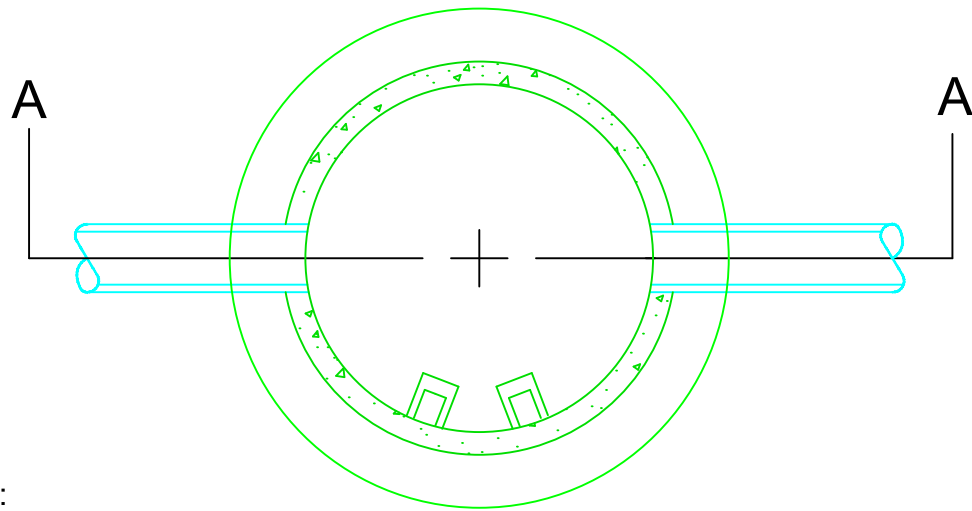


**DRAINAGE DETAILS (NATURAL GRASS PITCHES)**

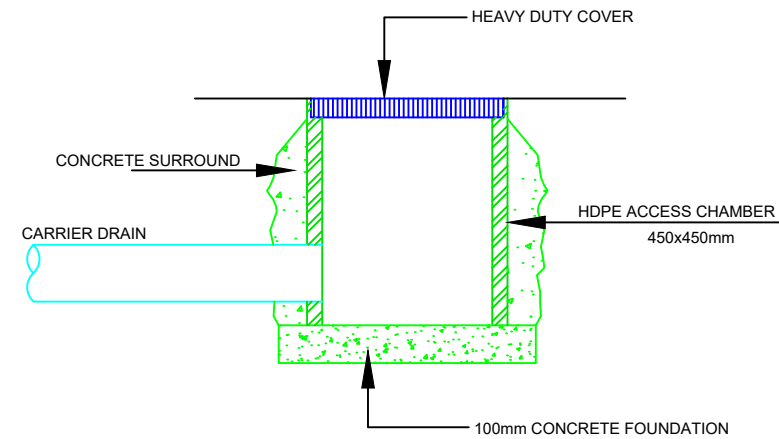
Scale 1:20



**PRECAST CONCRETE SILT TRAP TYPE A**

Scale 1:20

NB:  
All dimensions shown in mm.  
Drawing is not to scale



**DRAINAGE ACCESS CHAMBER**

SCALE 1:20

**Notes:**

DO NOT SCALE DIMENSIONS FROM THIS DRAWING  
ALL DIMENSIONS TO BE VERIFIED ON SITE.

**TENDER**

rev.	date	details	drwn	chkd

Client:  
MURRAYFIELD WANDERERS RFC

Project:  
ROSEBURN PARK  
MURRAYFIELD, EDINBURGH  
UPGRADE TO NATURAL GRASS PITCHES

**PSD** Professional Sportsturf Design  
6 Crosshill Drive, Glasgow, G73 3QU  
Tel: 0141 643 1286 Fax: 0141 647 8202  
email: psdscotland@msn.com

Drawing Title:  
DRAINAGE DETAILS

Scale @ A3: 1:20  
Drawn by: LR  
Date: APR 19  
Checked by:

Drawing No:  
**MWRFC/105**